

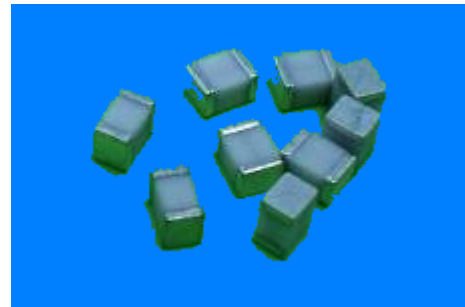
GDT Product Specification

LG1812***M SMD Gas Discharge Tube (4.5×3.2×2.7mm)



1、FEATURES

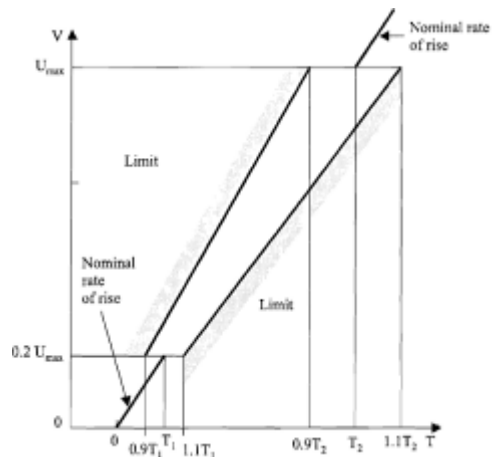
- Surface Mounting Design UL Certificated E232249
- Small Size Design EIA 1812 4.5×3.2×2.7mm
- High Current Handling Capability 1,000A @ 8/20μs
- Low Capacitance and Insertion Loss
- Fast Response and Long Service Life
- Reliable to Protect Electrostatic Surge
- Moisture sensitivity level: Level 1



2、AVAILABLE PART NUMBER AND ELECTRICAL PARAMETER @ T=25°C RH = 45%-75%

Part Number	DC Breakdown Voltage①	Tolerance of Vs	Impulse Spark-over Voltage	Impulse Discharge Current②	Insulation Resistance		C③ (1MHz)
	100V/s④		1kV/μs④	8/20μs	GΩ	DC	0.3V _{DC}
LG1812-091M	90V	±20%	≤ 700V	1,000A	≥1	50V	≤1pF
LG1812-151M	150V	±20%	≤ 750V	1,000A	≥1	50V	≤1pF
LG1812-201M	200V	±20%	≤ 750V	1,000A	≥1	100V	≤1pF
LG1812-231M	230V	±20%	≤ 750V	1,000A	≥1	100V	≤1pF
LG1812-301M	300V	±20%	≤ 800V	1,000A	≥1	100V	≤1pF
LG1812-351M	350V	±20%	≤ 900V	1,000A	≥1	100V	≤1pF
LG1812-401M	400V	±20%	≤ 950V	1,000A	≥1	100V	≤1pF
LG1812-471M	470V	±20%	≤ 1000V	1,000A	≥1	100V	≤1pF
LG1812-601M	600V	±20%	≤ 1200V	1,000A	≥1	100V	≤1pF

- ①、The parameters of all are tested by ITU-T K12
- ②、Total Impulse Discharge Current 1,000A @ 8/20μs by IEC 61000-4-5, 10 shots
- ③、The capacitance are tested by 1MHz @ DC= 0.3V
- ④、The V-T waveform of DCBV and IPBV mus lie between the shades.

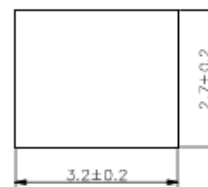
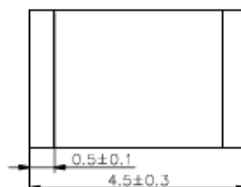
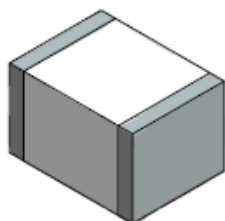


3、PART NUMBERING SYSTEM

LG1812 XXX M
 (1) (2) (3)

- (1) LAN SMD Gas Discharge Tube in 4.5×3.2×2.7 (L×W×H) (mm), Total Impulse Discharge Current 1,000A @8/20μs
- (2) DC Breakdown Voltage, e.g., 151=15×10¹=150V
- (3) Tolerance is DC Breakdown Voltage, M=+-20%, N=+-30%

4、DIMENSIONS



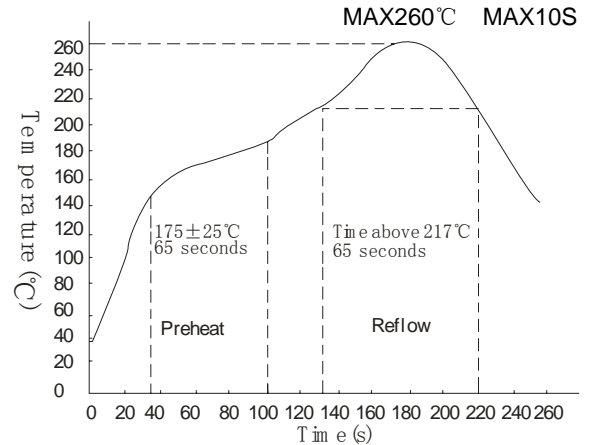
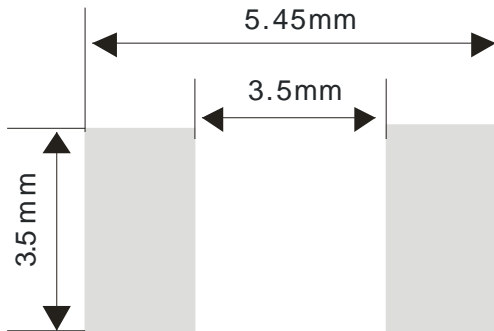
Unit:mm

GDT Product Specification

LG1812***M SMD Gas Discharge Tube (4.5×3.2×2.7mm)

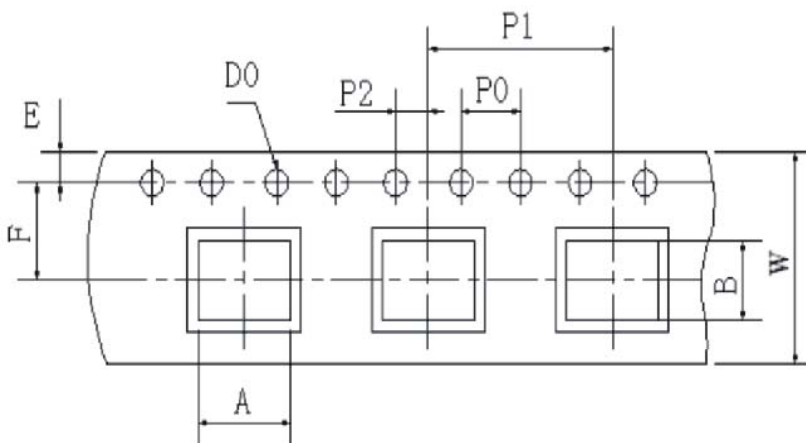


5、RECOMMENDED SOLDERING PAD AND REFLOW PROFILE



6、OPERATION AND STORAGE TEMPERATURE: -40°C ~ +85°C

7、PACKAGE REEL INFORMATION



ITEM	DIM (mm)
A	3.7 ± 0.20
B	4.7 ± 0.20
D0	φ1.50 ± 0.10
E	1.75 ± 0.10
F	5.5 ± 0.10
P0	4.0 ± 0.1
P1	8.0 ± 0.10
P2	2.0 ± 0.1
W	12.0 ± 0.30

OUTLINE	UNIT WEIGHT (g)	REEL (PCS)	PER CARTON (PCS)	REEL DIAMETERS (mm)	CARTON SIZE(mm)		
					L	W	H
TAPING	~0.2	2,000	32,000	330	360	360	360

Remark:

- 1、 Add items of Operation and Storage Temperature
- 2、 Add items of UNIT WEIGHT