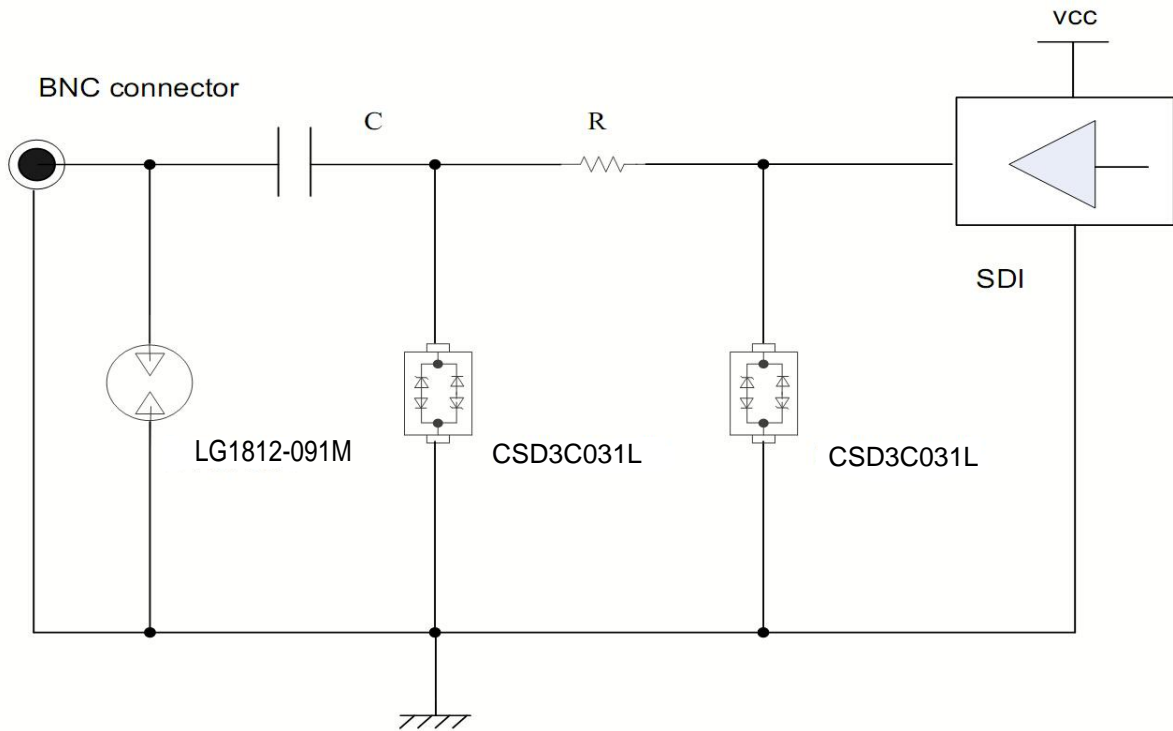


Part Number	Vrwm	10/700 μ s	Cj	Package	ESD(contact)	
P0080SC -MC	6V	6KV	20pF	SMB	6KV	高清
P0080TA -MC	6V	2KV	15PF	SMA	6KV	高清
P0080TB -MC	6V	4KV	9PF	SMB	6KV	高清
P0080TA -MC	6V	6KV	80pF	SMB	6KV	标清



Part Number	Vrwm	10/700 μ s	Cj	Package	
LG1812-091M	90V	6KV	0.5pF	SMD4532	高清
CSD3C031L	5V		15PF	SOD323	